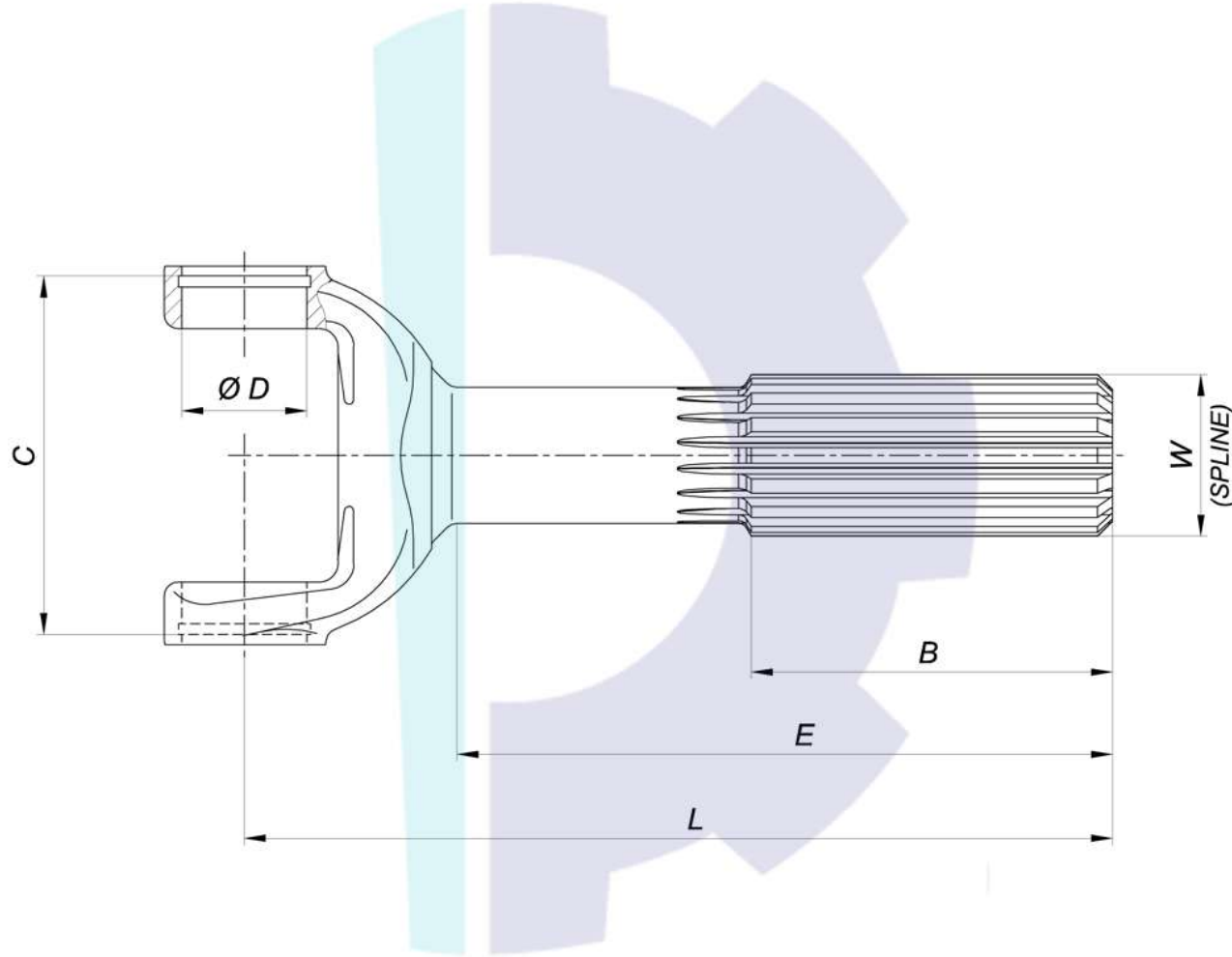


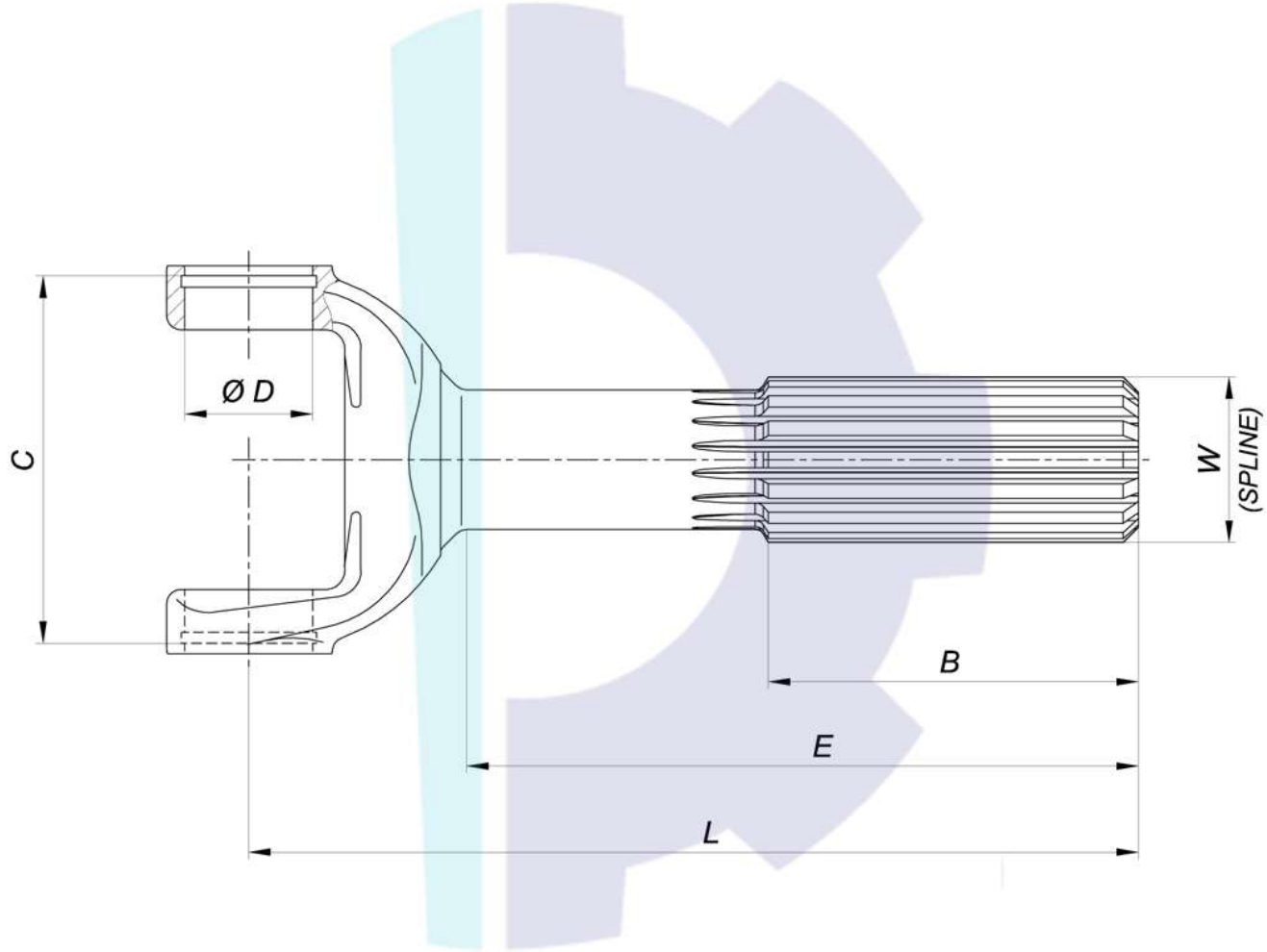
ÇATALLI KAYICI MİL - YOKE SHAFT



## ÇATALLI KAYICI MİL - YOKE SHAFT

SERİ SERIE	PARÇA NO PART NO	ØD	L	B	E	C	MAFSAL AÇISI JOINT ANGLE	W SPLINE	İSTAVROZ U.JOINT
01140	YS.01140.12.02	23,825 <sup>-0,018</sup>	135	44,4	90,5	64,26 <sup>-0,05</sup>	15°	SAE Ø26,9x16C	Ø23,825x61,2
	YS.01140.13.02	23,825 <sup>-0,018</sup>	110,5	44	74,1	64,26 <sup>-0,05</sup>	15°	SAE Ø26,9x16C	Ø23,825x61,2
01300	YS.01300.01.02	27 <sup>-0,018</sup>	185	84	138	77,57 <sup>-0,05</sup>	17°	SAE Ø34,9x16C	Ø27x74,6
01310	YS.01310.02.02	27 <sup>-0,018</sup>	149,3	57	109	84,78 <sup>-0,05</sup>	20°	SAE Ø34,9x16C	Ø27x81,8
	YS.01310.04.02	27 <sup>-0,018</sup>	171	65	124,3	84,78 <sup>-0,05</sup>	20°	SAE Ø34,9x16C	Ø27x81,8
	YS.01310.10.02	27 <sup>-0,018</sup>	165	47	117	84,78 <sup>-0,05</sup>	20°	SAE Ø34,9x16C	Ø27x81,8
	YS.01310.13.02	27 <sup>-0,018</sup>	158,5	55,8	108,5	84,78 <sup>-0,05</sup>	20°	SAE Ø34,9x16C	Ø27x81,8
	YS.01310.14.02	27 <sup>-0,018</sup>	147,4	46	103	84,78 <sup>-0,05</sup>	20°	SAE Ø34,9x16C	Ø27x81,8
	YS.01310.20.02	27 <sup>-0,018</sup>	164	50,8	111	84,78 <sup>-0,05</sup>	30°	SAE Ø34,9x16C	Ø27x81,8
	YS.01310.21.02	27 <sup>-0,018</sup>	129	54	85	84,78 <sup>-0,05</sup>	20°	SAE Ø34,9x16C	Ø27x81,8
	YS.01310.22.02	27 <sup>-0,018</sup>	112	37	68,6	84,78 <sup>-0,05</sup>	20°	SAE Ø34,9x16C	Ø27x81,8
01410	YS.01410.04.02	30,175 <sup>-0,018</sup>	187,2	67,5	126,2	109,30 <sup>-0,05</sup>	20°	SAE Ø38,1x16C	Ø30,2x106,3
	YS.01410.07.02	30,175 <sup>-0,018</sup>	156,2	67,5	108,2	109,30 <sup>-0,05</sup>	20°	SAE Ø38,1x16C	Ø30,2x106,3
	YS.01410.09.02	30,175 <sup>-0,018</sup>	156,2	67,5	108,2	109,30 <sup>-0,05</sup>	20°	SAE Ø38,1x16C (RILSAN COATED)	Ø30,2x106,3
	YS.01410.12.02	30,175 <sup>-0,018</sup>	126,2	50,8	78,5	109,30 <sup>-0,05</sup>	20°	SAE Ø38,1x16C (RILSAN COATED)	Ø30,2x106,3
	YS.01410.13.02	30,175 <sup>-0,018</sup>	168	57	121	109,30 <sup>-0,05</sup>	20°	SAE Ø38,1x16C (RILSAN COATED)	Ø30,2x106,3
	YS.01410.14.02	30,175 <sup>-0,018</sup>	145	50,8	97,3	109,30 <sup>-0,05</sup>	20°	SAE Ø38,1x16C (RILSAN COATED)	Ø30,2x106,3

ÇATALLI KAYICI MİL - YOKE SHAFT



SERİ SERIE	PARÇA NO PART NO	ØD	L	B	E	C	MAFSAL AÇISI JOINT ANGLE	W SPLINE	İSTAVROZ U.JOINT
01480	YS.01480.01.02	34,925 <sup>-0,018</sup>	166	60	117	109,296 <sup>-0,05</sup>	20°	SAE Ø44,45x16C (RILSAN COATED)	Ø34,925x106,4
	YS.01480.02.02	34,917 <sup>-0,028</sup>	360	92	270	109,296 <sup>-0,05</sup>	30°	SAE Ø50,8x16C (RILSAN COATED)	Ø34,9x106,4
	YS.01480.03.02	34,925 <sup>-0,018</sup>	185	58	128	109,296 <sup>-0,05</sup>	20°	SAE Ø44,45x16C (RILSAN COATED)	Ø34,925x106,4
	YS.01480.04.02	35 <sup>+0,025</sup>	185	58	128	109,296 <sup>-0,05</sup>	20°	SAE Ø44,45x16C (RILSAN COATED)	Ø35x106,4
	YS.01480.05.02	34,925 <sup>-0,018</sup>	166	58	110	109,296 <sup>-0,05</sup>	20°	SAE Ø44,45x16C (RILSAN COATED)	Ø34,925x106,4
	YS.01480.06.02	35 <sup>+0,025</sup>	166	58	110	109,296 <sup>-0,05</sup>	20°	SAE Ø44,45x16C (RILSAN COATED)	Ø35x106,4
	YS.01480.07.02	34,925 <sup>-0,018</sup>	144,5	51	96	109,296 <sup>-0,05</sup>	20°	SAE Ø44,45x16C (RILSAN COATED)	Ø34,925x106,4
	YS.01480.08.02	35 <sup>+0,025</sup>	144,5	51	96	109,296 <sup>-0,05</sup>	20°	SAE Ø44,45x16C (RILSAN COATED)	Ø35x106,4