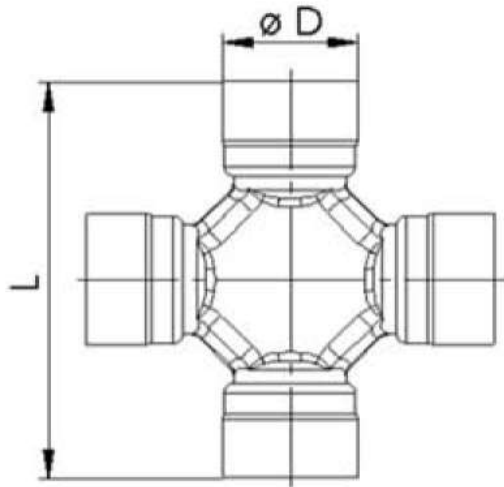
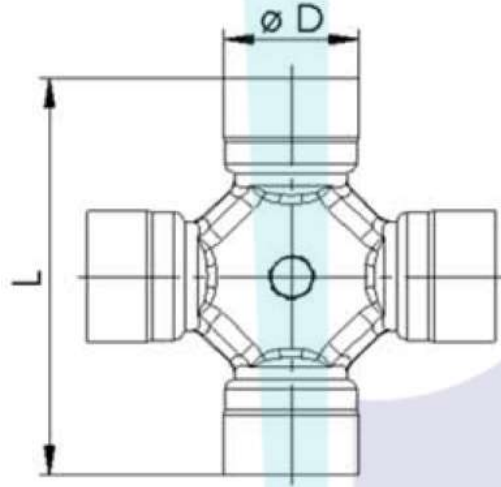


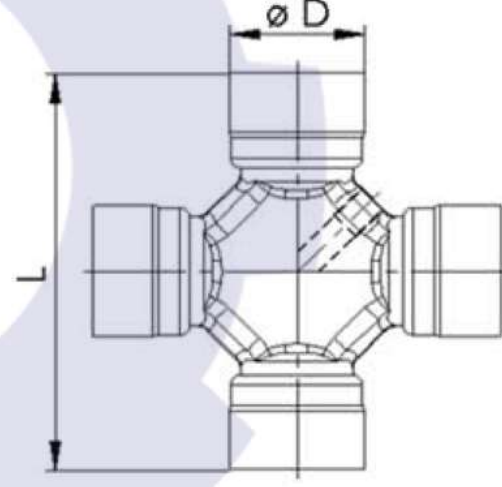
MAFSAL İSTAVROZU / UNIVERSAL JOINT  
SAE SERİ / SAE SERIES



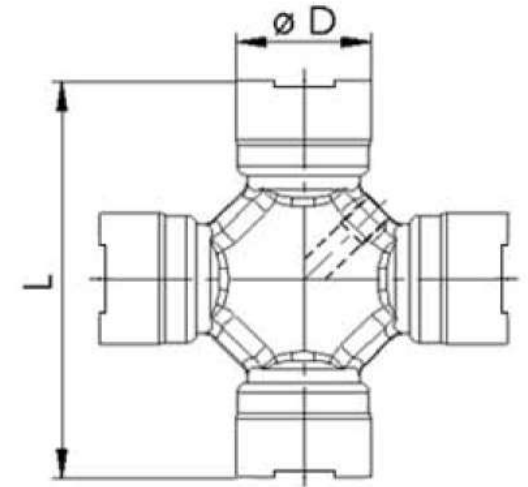
TİP/TYPE - A -



TİP/TYPE - B -



TİP/TYPE - C -

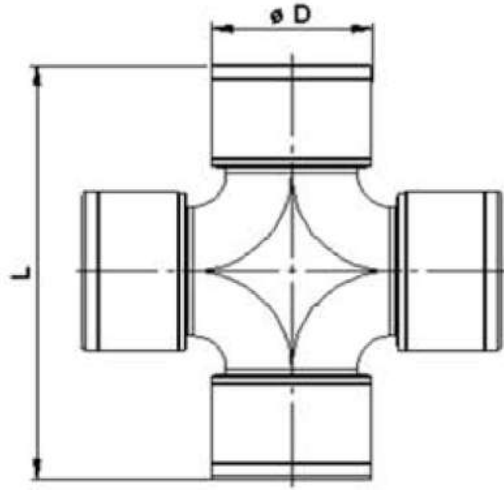


TİP/TYPE - D -

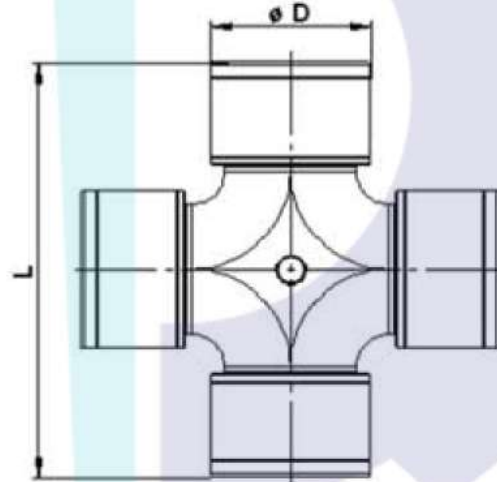
## MAFSAL İSTAVROZU / UNIVERSAL JOINT SAE SERİ / SAE SERIES

SERİ/SERIE	PARÇA/PART NO	FORM/TYPE	ø D	L	KOMPLE YÜKSÜK / NEEDLE CUP ASSY.	AÇIKLAMA / EXPLANATION
00300	UJ.00300.01.02	A	16	40	INA	BAKIMSIZ / MAINTENANCE FREE
00400	UJ.00400.02.02	A	19	48	INA	BAKIMSIZ / MAINTENANCE FREE
	UJ.00400.03.02	B				BAKIMLI / MAINTENANCE
	UJ.00400.07.02	A	19	48,5	-	BAKIMSIZ / MAINTENANCE FREE
00500	UJ.00500.06.02	A	19	52	INA	BAKIMSIZ / MAINTENANCE FREE
	UJ.00500.07.02	B				BAKIMLI / MAINTENANCE
01140	UJ.01140.01.02	C	23,8	61,2	-	BAKIMLI / MAINTENANCE
	UJ.01140.03.02	A				BAKIMSIZ / MAINTENANCE FREE
01300	UJ.01300.01.02	C	27	74,5	-	BAKIMLI / MAINTENANCE
01310	UJ.01310.01.02	C	27	81,8	-	BAKIMLI / MAINTENANCE
	UJ.01310.10.02	A	27			EZMELİ / STAKING / BAKIMSIZ / MAINTENANCE FREE
01350	UJ.01350.01.02	C	30,2	92	-	BAKIMLI / MAINTENANCE
-	UJ.01350.02.02	A	30	92	INA	EZMELİ / STAKING / BAKIMSIZ / MAINTENANCE FREE
01410	UJ.01410.01.02	C	30,2	106,2	-	BAKIMLI / MAINTENANCE
	UJ.01410.03.02	A	30	106,2	INA	EZMELİ / STAKING / BAKIMSIZ / MAINTENANCE FREE
01480	UJ.01480.03.02	B	34,9	106,4	-	BAKIMLI / MAINTENANCE
01510	UJ.01510.01.02	C	39,7	115,8	-	BAKIMLI / MAINTENANCE
01600	UJ.01600.01.02	C	47	132,2	-	BAKIMLI / MAINTENANCE
01630	UJ.01630.01.02	B	39,7	115,8	-	BAKIMLI / MAINTENANCE
01800	UJ.01800.01.02	D	59	167,4	-	TABAN PULSUZ / WASHER FREE / KAPAKLI / OUTER CUP / BAKIMLI / MAINTENANCE

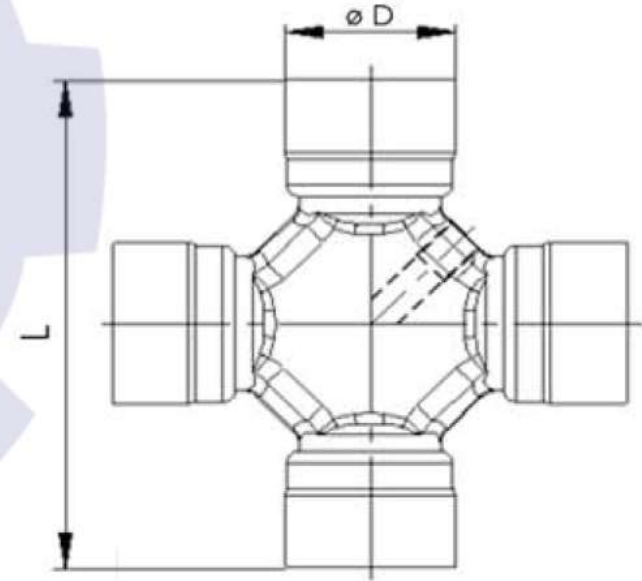
MAFSAL İSTAVROZU / UNIVERSAL JOINT  
DIN SERİ / DIN SERIES



TİP/TYPE - A -



TİP/TYPE - B -

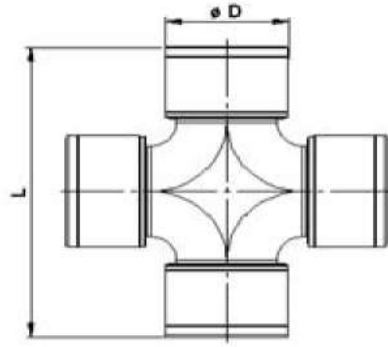


TİP/TYPE - C -

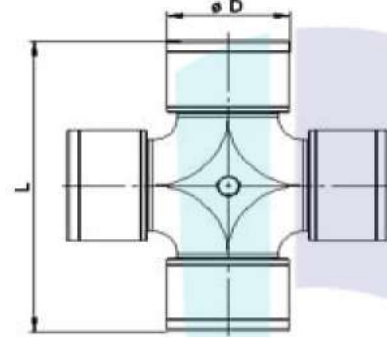


SERİ/SERIE	PARÇA/PART NO	FORM/TYPE	ø D	L	KOMPLE YÜKSÜK / NEEDLE CUP ASSY.	AÇIKLAMA / EXPLANATION
58720	UJ.58720.01.02	B	48	116,5	INA	BAKIMLI / MAINTENANCE
58730	UJ.58730.01.02	B	52	133	INA	BAKIMLI / MAINTENANCE
58735	UJ.58735.01.02	B	57	144	INA	BAKIMLI / MAINTENANCE
68715	UJ.68715.01.02	B	27	74,5	-	BAKIMLI / MAINTENANCE
68720	UJ.68720.01.02	B	30,2	81,8	-	BAKIMLI / MAINTENANCE
68731	UJ.68730.01.02	B	35	106,4	INA	BAKIMLI / MAINTENANCE
	UJ.01480.02.02	C				
68735	UJ.68735.02.02	A	42	119,5	SKF	BAKIMSIZ / MAINTENANCE FREE
	UJ.68735.03.02					BAKIMLI / MAINTENANCE
68741	UJ.68740.01.02	B	48	135	INA	BAKIMLI / MAINTENANCE
	UJ.68740.03.02	A			SKF	BAKIMSIZ / MAINTENANCE FREE
	UJ.68740.11.02	B			SKF	BAKIMLI / MAINTENANCE
68745	UJ.68745.01.02	B	52	147	INA	BAKIMLI / MAINTENANCE
	UJ.68745.09.02	A			SKF	BAKIMSIZ / MAINTENANCE FREE
	UJ.68745.02.02		SKF			
	UJ.68745.05.02	B	53		INA	BAKIMLI / MAINTENANCE
68755	UJ.68755.01.02	B	57	152	INA	BAKIMLI / MAINTENANCE
	UJ.68755.02.02			152,7	INA	
	UJ.68755.04.02	A		152	SKF	BAKIMSIZ / MAINTENANCE FREE
	UJ.68755.09.02				INA	
68760	UJ.68760.05.02	B	59	167,7	INA	BAKIMLI / MAINTENANCE
	UJ.68760.07.02	A			INA	BAKIMSIZ / MAINTENANCE FREE
	UJ.68760.08.02				SKF	
68765	UJ.68765.01.02	B	65	172	INA	BAKIMLI / MAINTENANCE
	UJ.68765.05.02				SKF	BAKIMLI / MAINTENANCE
	UJ.68765.11.02	A			SKF	BAKIMSIZ / MAINTENANCE FREE

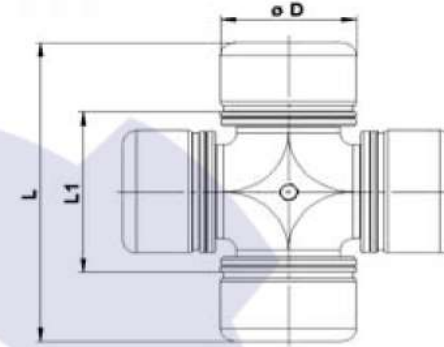
## MAFSAL İSTAVROZU / UNIVERSAL JOINT ÖZEL SERİ / SPECIAL SERIES



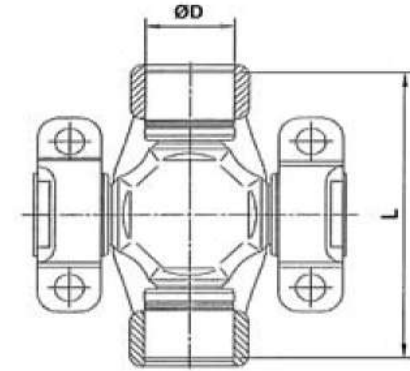
TİP/TYPE - A



TİP/TYPE - B



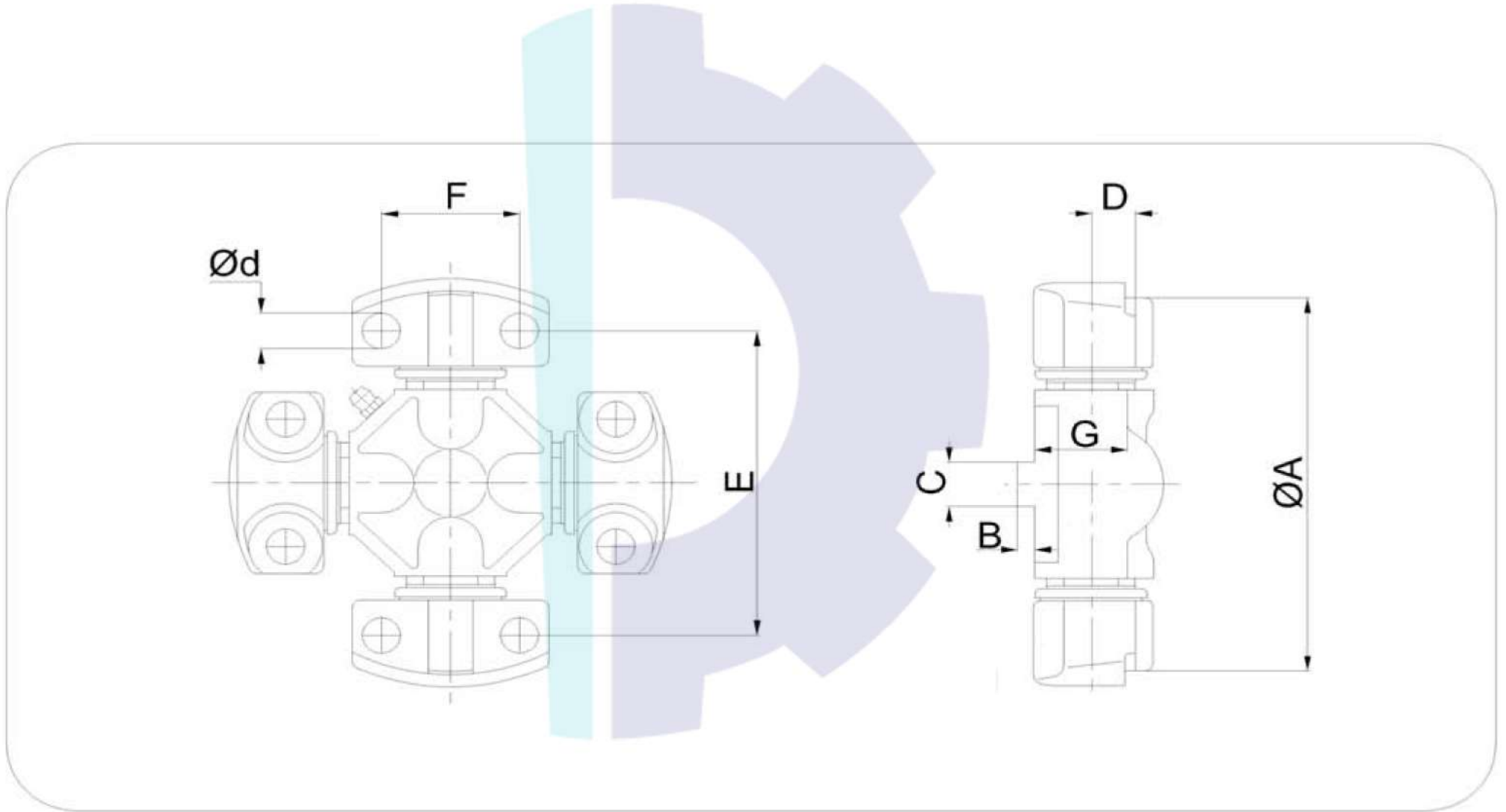
TİP/TYPE - C



TİP/TYPE - D

SERİ/SERIE	PARÇA/PART NO	FORM/TYPE	ø D	L	L1	KOMPLE YÜKSÜK / NEEDLE CUP ASSY.	AÇIKLAMA / EXPLANATION
15040	UJ.15040.01.02	A	15	40	--		BAKIMSIZ / MAINTENANCE FREE
00385	UJ.00385.01.02	B	48	126	--	INA	BAKIMLI / MAINTENANCE
	UJ.00385.03.02	A				SKF	BAKIMSIZ / MAINTENANCE FREE
00389	UJ.00389.01.02	B	53	135	--	INA	BAKIMLI / MAINTENANCE
	UJ.00389.02.02	A				SKF	BAKIMSIZ / MAINTENANCE FREE
	UJ.00389.03.02						
48161	UJ.48161.01.02	D	48	161	--	-	BAKIMLI / MAINTENANCE
	UJ.48161.03.02					INA	
57164	UJ.57164.01.02	D	57	164	--	-	BAKIMLI / MAINTENANCE
	UJ.57164.04.02					INA	BAKIMSIZ / MAINTENANCE FREE
68089	UJ.68089.01.02	C	68	166	89	SKF	BAKIMLI / MAINTENANCE
	UJ.68089.02.02						BAKIMSIZ / MAINTENANCE FREE

MEKANİK TİP İSTAVROZ  
WING TYPE UNIVERSAL JOINT

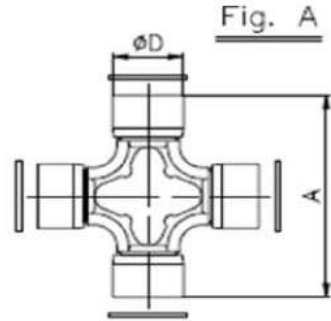


MEKANİK TİP İSTAVROZ  
WING TYPE UNIVERSAL JOINT

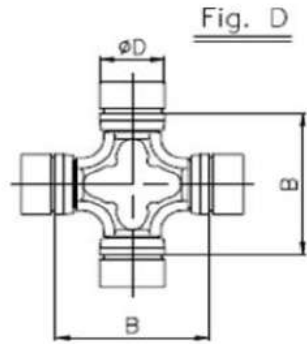
SERİ/SERIE	PARÇA/PART NO	ØA	B	C	D	Ød	E	F	G
4C	UJ.04000.01.02	107,2	3,1	9,5	15,5	8,75	87,3	36,6	25
5C	UJ.05000.01.02	115,6	4,1	14,26	17,5	10,5	88,9	42,9	29
6C	UJ.06000.01.01	140,46	4,1	14,26	17,5	10,5	114,3	42,9	29
7C	UJ.07000.01.02	148,38	5,1	15,85	20,6	13,5	117,48	49,2	33
8C	UJ.08000.01.02	206,32	5,1	15,85	20,6	13,5	174,6	49,2	33
8,5C	UJ.08500.01.02	165,1	5,2	15,85	25,4	13,5	123,8	71,44	40
9C	UJ.09000.01.02	209,52	5,2	15,85	25,4	13,5	168,25	71,44	40



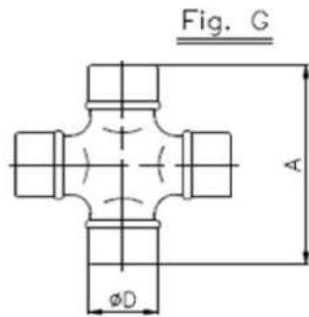
MAFSAL İSTAVROZLARI  
UNIVERSAL JOINTS KITS



OUTSIDE SNAPRING



INSIDE SNAPRING



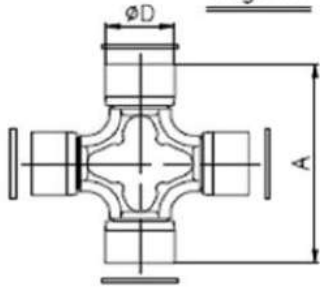
STAKED TYPE

PART NO PARÇA NO	TYPE (Fig.) TİP	SERİE SERİ	ØD	A	ØD <sub>1</sub>	B	X	Y	Z	LUBRICATION YAĞLAMA
300.4.IK.001.00	G	030	16	40	-	-	-	-	-	LİFETIME LUBE
500.4.IK.001.00	A	-	19	52	-	-	-	-	-	CENTER GREASE NIPPLE
500.4.IK.001.101	A	-	19	52	-	-	-	-	-	LİFETIME LUBE
040.4.IK.001.00	G	040	19,04	48,4	-	-	-	-	-	LİFETIME LUBE
IK.20350.000.00	D	-	20	-	-	35	-	-	-	BEARING CUP GR. NIPPLE
IK.20546.000.00	A	-	20	54,6	-	-	-	-	-	BEARING CUP GR. NIPPLE
IK.20570.000.00	A	-	20	57	-	-	-	-	-	BEARING CUP GR. NIPPLE
IK.22650.000.00	A	-	22	65	-	-	-	-	-	LİFETIME LUBE
IK.22535.000.00	D	-	22,5	-	-	35	-	-	-	BEARING CUP GR. NIPPLE
114.4.IK.001.00	A	114	23,8	61,3	-	-	-	-	-	LİFETIME LUBE
114.4.IK.001.01	A	114	23,8	61,3	-	-	-	-	-	BEARING CUP GR. NIPPLE
114.4.IK.002.00	A	114	23,8	61,3	-	-	-	-	-	SIDE GREASE NIPPLE
114.4.IK.003.00	A	114	23,8	61,3	-	-	-	-	-	LİFETIME LUBE
IK.24625.000.00	A	-	24	62,5	-	-	-	-	-	SIDE GREASE NIPPLE
IK.24750.000.00	A	-	24	75	-	-	-	-	-	SIDE GREASE NIPPLE
IK.25638.000.00	A	-	25	63,8	-	-	-	-	-	BEARING CUP GR. NIPPLE
IK.25767.000.00	A	-	25	76,7	-	-	-	-	-	CENTER GREASE NIPPLE
IK.02653.000.00	D	-	26	-	-	53	-	-	-	BEARING CUP GR. NIPPLE
IK.26698.000.00	A	-	26	69,8	-	-	-	-	-	CENTER GREASE NIPPLE
IK.27461.000.00	D	-	27	-	-	46,1	-	-	-	BEARING CUP GR. NIPPLE
IK.27700.000.00	A	-	27	70	-	-	-	-	-	CENTER GREASE NIPPLE
IK.27710.000.00	A	120	27	71	-	-	-	-	-	LİFETIME LUBE
130.4.IK.001.00	A	130	27	74,6	-	-	-	-	-	SIDE GREASE NIPPLE
130.4.IK.001.01	A	130	27	74,6	-	-	-	-	-	CENTER GREASE NIPPLE
IK.27800.000.00	A	-	27	80	-	-	-	-	-	SIDE GREASE NIPPLE
131.4.IK.001.00	A	131	27	81,8	-	-	-	-	-	SIDE GREASE NIPPLE
IK.27817.000.00	A	131	27	81,8	-	-	-	-	-	SIDE GREASE NIPPLE
IK.27820.000.00	A	-	27	82	-	-	-	-	-	CENTER GREASE NIPPLE
IK.27920.000.00	A	133	27	92	-	-	-	-	-	SIDE GREASE NIPPLE
IK.02848.000.00	D	-	28	-	-	48,4	-	-	-	CENTER GREASE NIPPLE
IK.28440.000.00	D	-	28	-	-	44	-	-	-	CENTER GREASE NIPPLE
IK.28716.000.00	A	-	28	71,6	-	-	-	-	-	BEARING CUP GR. NIPPLE



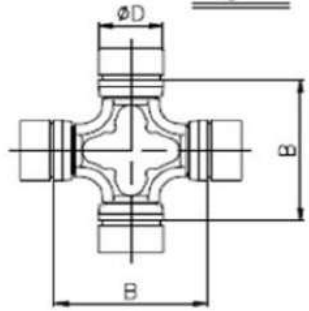
### MAFSAL İSTAVROZLARI UNIVERSAL JOINTS KITS

Fig. A



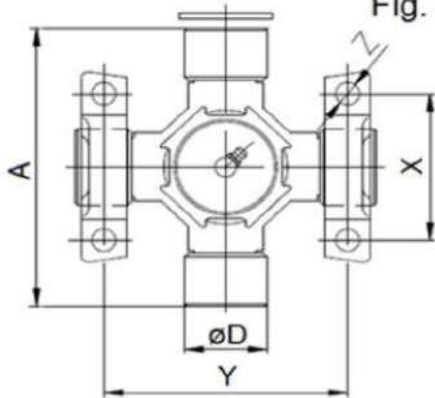
OUTSIDE SNAPRING

Fig. D



INSIDE SNAPRING

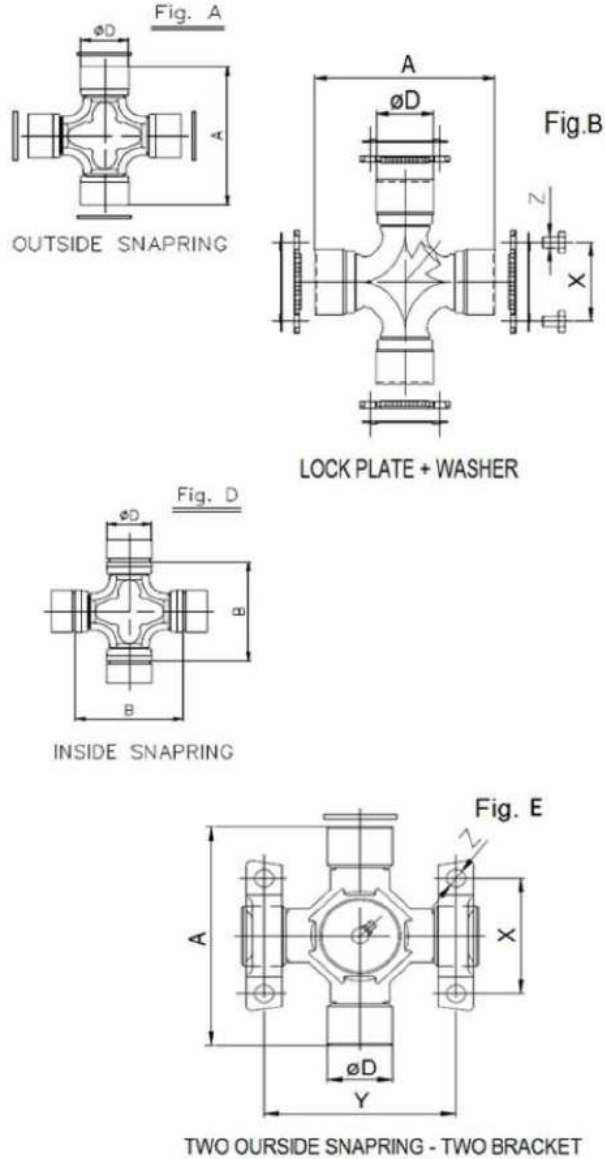
Fig. E



TWO OURSIDE SNAPRING - TWO BRACKET

PART NO PARÇA NO	TYPE TİP	SERİE SERİ	ØD	A	ØD <sub>1</sub>	B	X	Y	Z	LUBRICATION YAĞLAMA
IK.28800.000.00	A	-	28	80,0	-	-	-	-	-	SIDE GREASE NIPPLE
IK.02950.000.00	D	-	29	-	-	50	-	-	-	BEARING CUP GR. NIPPLE
IK.02969.000.00	D	-	29	-	-	69	-	-	-	BEARING CUP GR. NIPPLE
IK.29490.000.00	D	-	29	-	-	49	-	-	-	CENTER GREASE NIPPLE
IK.30555.000.00	D	-	30	-	-	55,1	-	-	-	CENTER GREASE NIPPLE
IK.30711.000.00	D	-	30	-	-	71,1	-	-	-	CENTER GREASE NIPPLE
287.4.IK.001.00	A	287	30	81,8	-	-	-	-	-	LIFETIME LUBE
287.4.IK.002.00	A	287	30	81,8	-	-	-	-	-	CENTER GREASE NIPPLE
IK.30818.000.00	A	287	30	81,8	-	-	-	-	-	CENTER GREASE NIPPLE
IK.30280.000.00	A	-	30,2	80	-	-	-	-	-	CENTER GREASE NIPPLE
420.4.IK.001.00	A	420	30,2	81,8	-	-	-	-	-	LIFETIME LUBE
420.4.IK.002.00	A	420	30,2	81,8	-	-	-	-	-	CENTER GREASE NIPPLE
420.4.IK.003.00	A	420	30,2	81,8	-	-	-	-	-	CENTER GREASE NIPPLE
IK.30262.000.00	A	420	30,2	81,8	-	-	-	-	-	CENTER GREASE NIPPLE
350.4.IK.003.00	A	350	30,2	92,0	-	-	-	-	-	SIDE GREASE NIPPLE
IK.30292.000.00	A	350	30,2	92,0	-	-	-	-	-	CENTER GREASE NIPPLE
141.4.IK.001.00	A	141	30,2	106,3	-	-	-	-	-	SIDE GREASE NIPPLE
141.4.IK.001.01	A	141	30,2	106,3	-	-	-	-	-	CENTER GREASE NIPPLE
IK.31880.000.00	A	-	31	88	-	-	-	-	-	SIDE GREASE NIPPLE
IK.31450.000.00	D	-	31,3	-	-	45,7	-	-	-	CENTER GREASE NIPPLE
IK.32570.000.00	D	-	32	-	-	57	-	-	-	CENTER GREASE NIPPLE
IK.32960.000.00	A	-	32	96,2	-	-	-	-	-	SIDE GREASE NIPPLE
145.4.IK.003.00	A	145	33	103	-	-	-	-	-	CENTER GREASE NIPPLE
IK.33103.000.00	A	145	33	103	-	-	-	-	-	CENTER GREASE NIPPLE
IK.34992.000.00	A	425	34,9	92,2	-	-	-	-	-	LIFETIME LUBE
148.4.IK.002.00	A	148	34,9	106,3	-	-	-	-	-	CENTER GREASE NIPPLE
148.4.IK.009.00	A	148	34,9	106,3	-	-	-	-	-	LIFETIME LUBE
IK.35106.002.00	A	148	34,9	106,3	-	-	-	-	-	SIDE GREASE NIPPLE
IK.35126.000.00	A	155	34,9	126,2	-	-	-	-	-	SIDE GREASE NIPPLE
IK.35127.000.00	A	-	34,9	127	-	-	-	-	-	SIDE GREASE NIPPLE
730.4.IK.001.00	A	730	35	106,3	-	-	-	-	-	LIFETIME LUBE
IK.35106.001.00	A	-	35	106,3	-	-	-	-	-	CENTER GREASE NIPPLE

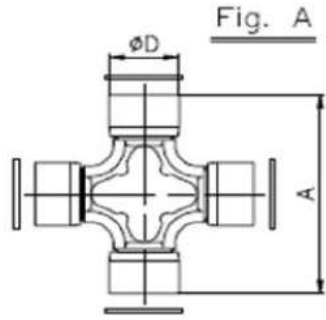
MAFSAL İSTAVROZLARI  
UNIVERSAL JOINTS KITS



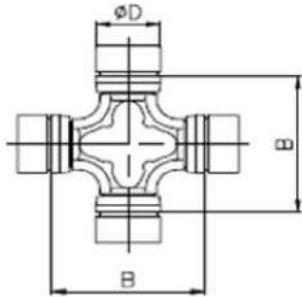
PART NO PARÇA NO	TYPE TİP	SERİE SERİ	ØD	A	ØD <sub>1</sub>	B	X	Y	Z	LUBRICATION YAĞLAMA
IK.35968.000.00	A	424	35	96,8	-	-	-	-	-	CENTER GREASE NIPPLE
IK.38106.000.00	A	-	38	105,9	-	-	-	-	-	CENTER GREASE NIPPLE
IK.38148.000.00	E	-	38	148	-	-	75	124	Ø13,1	CENTER GREASE NIPPLE
IK.38558.000.00	D	-	38	-	-	55,5	-	-	-	CENTER GREASE NIPPLE
IK.38572.000.00	D	-	38	-	-	57,2	-	-	-	CENTER GREASE NIPPLE
151.4.IK.001.00	A	151	39,7	115,8	-	-	-	-	-	SIDE GREASE NIPPLE
381.4.IK.001.00	A	381	42	106,0	-	-	-	-	-	CENTER GREASE NIPPLE
IK.42106.000.00	A	381	42	106,0	-	-	-	-	-	CENTER GREASE NIPPLE
IK.42119.000.00	A	432	42	119,4	-	-	-	-	-	CENTER GREASE NIPPLE
IK.42660.000.00	D	-	42	-	-	66	-	-	-	CENTER GREASE NIPPLE
IK.44126.000.00	B	-	44	126,2	-	-	-	-	-	SIDE GREASE NIPPLE
IK.44149.000.00	A	-	44	149	-	-	-	-	-	SIDE GREASE NIPPLE
IK.45120.000.00	A	-	45	120	-	-	-	-	-	CENTER GREASE NIPPLE
IK.45131.000.00	A	-	45	131	-	-	-	-	-	SIDE GREASE NIPPLE
IK.47131.000.00	A	-	47	131	-	-	-	-	-	CENTER GREASE NIPPLE
IK.47132.000.00	A	-	47	132	-	-	-	-	-	SIDE GREASE NIPPLE
IK.47134.001.00	B	160	47,6	134,9	-	-	59,1	-	M8	SIDE GREASE NIPPLE
IK.47134.002.00	B	160	47,6	134,9	-	-	59,1	-	M8	2 SIDE GREASE NIPPLE
IK.47135.000.00	A	740	47,6	135,2	-	-	-	-	-	CENTER GREASE NIPPLE
385.4.IK.001.00	A	385	48	126	-	-	-	-	-	LİFETIME LUBE
385.4.IK.005.00	A	385	48	126	-	-	-	-	-	CENTER GREASE NIPPLE
741.4.IK.001.00	A	741	48	135,0	-	-	-	-	-	LİFETIME LUBE
741.4.IK.002.00	A	741	48	135,0	-	-	-	-	-	CENTER GREASE NIPPLE
IK.48116.000.00	A	-	48	116,5	-	-	-	-	-	CENTER GREASE NIPPLE
IK.48126.000.00	A	385	48	126	-	-	-	-	-	CENTER GREASE NIPPLE
IK.48135.000.00	A	741	48	135,0	-	-	-	-	-	CENTER GREASE NIPPLE
IK.48161.000.00	E	-	48	161	-	-	84,8	131,6	?	CENTER GREASE NIPPLE
IK.50153.002.00	A	-	50	152,6	-	-	-	-	-	CENTER GREASE NIPPLE
IK.50164.000.00	A	-	50	164	-	-	-	-	-	SIDE GREASE NIPPLE
434.4.IK.002.00	A	434	52	133,0	-	-	-	-	-	CENTER GREASE NIPPLE
745.4.IK.001.00	A	745	52	147,2	-	-	-	-	-	LİFETIME LUBE
745.4.IK.002.00	A	745	52	147,2	-	-	-	-	-	CENTER GREASE NIPPLE



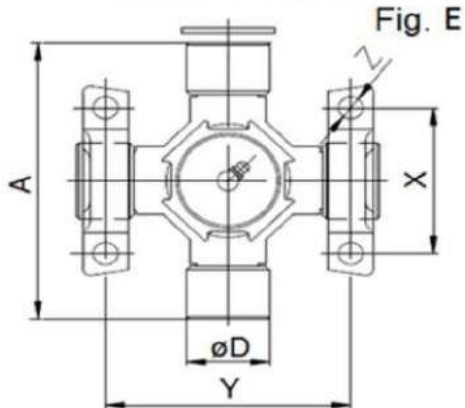
MAFSAL İSTAVROZLARI  
UNIVERSAL JOINTS KITS



OUTSIDE SNAPRING



INSIDE SNAPRING

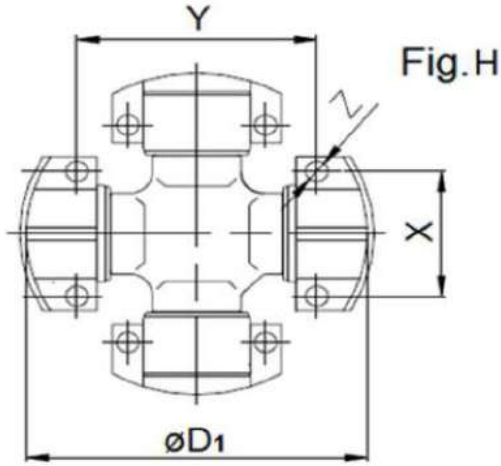


TWO OURSIDE SNAPRING - TWO BRACKET

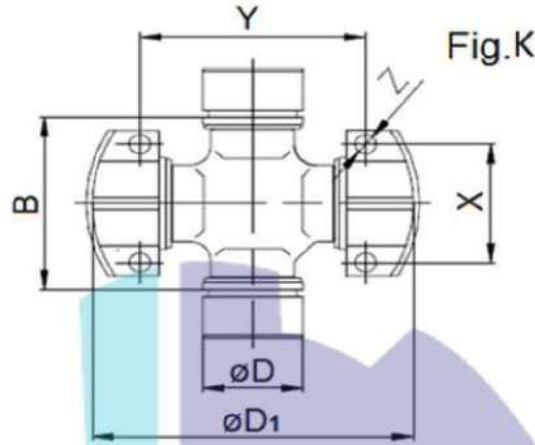
PART NO PARÇA NO	TYPE TİP	SERİE SERİ	ØD	A	ØD <sub>1</sub>	B	X	Y	Z	LUBRICATION YAĞLAMA
IK.52133.000.00	A	434	52	133	-	-	-	-	-	CENTER GREASE NIPPLE
IK.52147.000.00	A	745	52	147	-	-	-	-	-	CENTER GREASE NIPPLE
IK.52154.000.00	A	?	52	153	-	-	-	-	-	CENTER GREASE NIPPLE
389.4.IK.001.00	A	389	53	135	-	-	-	-	-	CENTER GREASE NIPPLE
IK.53135.000.00	A	389	53	135	-	-	-	-	-	CENTER GREASE NIPPLE
000.4.IK.047.00	A	735	57	144	-	-	-	-	-	CENTER GREASE NIPPLE
755.4.IK.001.00	A	755	57	152,0	-	-	-	-	-	LİFETIME LUBE
755.4.IK.002.00	A	755	57	152,0	-	-	-	-	-	CENTER GREASE NIPPLE
755.4.IK.003.00	A	755	57	152,0	-	-	-	-	-	CENTER GREASE NIPPLE
755.4.IK.004.00	A	755	57	152,0	-	-	-	-	-	LİFETIME LUBE
755.4.IK.005.00	A	755	57	152,0	-	-	-	-	-	LİFETIME LUBE
IK.57144.000.00	A	735	57	144	-	-	-	-	-	CENTER GREASE NIPPLE
IK.57152.000.00	A	755	57	152	-	-	-	-	-	CENTER GREASE NIPPLE
IK.57164.000.00	E	-	57	164	-	-	95	128	-	CENTER GREASE NIPPLE
IK.57172.000.00	A	-	57	172	-	-	-	-	-	CENTER GREASE NIPPLE
IK.59168.000.00	A	-	59	167,7	-	-	-	-	-	CENTER GREASE NIPPLE
765.4.IK.002.00	A	765	65	172	-	-	-	-	-	CENTER GREASE NIPPLE
IK.65172.000.00	A	765	65	172	-	-	-	-	-	CENTER GREASE NIPPLE
IK.65190.000.00	A	-	65	190	-	-	-	-	-	CENTER GREASE NIPPLE
IK.68117.000.00	D	-	68	(192)	-	117	-	-	-	LİFETIME LUBE
IK.68890.000.00	D	468	68	(166,0)	-	89	-	-	-	CENTER GREASE NIPPLE
IK.74129.000.00	D	-	74	-	-	129	-	-	-	CENTER GREASE NIPPLE
IK.74154.000.00	D	-	74	-	-	154	-	-	-	CENTER GREASE NIPPLE
IK.74195.000.00	A	-	74	195	-	-	-	-	-	CENTER GREASE NIPPLE
IK.74217.000.00	A	-	74	217	-	-	-	-	-	CENTER GREASE NIPPLE
IK.83125.000.00	D	-	83	-	-	125	-	-	-	CENTER GREASE NIPPLE
IK.83129.000.00	D	-	83	-	-	129	-	-	-	CENTER GREASE NIPPLE
IK.83139.000.00	D	-	83	-	-	139	-	-	-	CENTER GREASE NIPPLE
IK.83231.000.00	A	-	83	231,4	-	-	-	-	-	CENTER GREASE NIPPLE
IK.95160.000.00	D	-	95	-	-	160	-	-	-	CENTER GREASE NIPPLE
IK.95250.000.00	A	-	95	250	-	-	-	-	-	CENTER GREASE NIPPLE



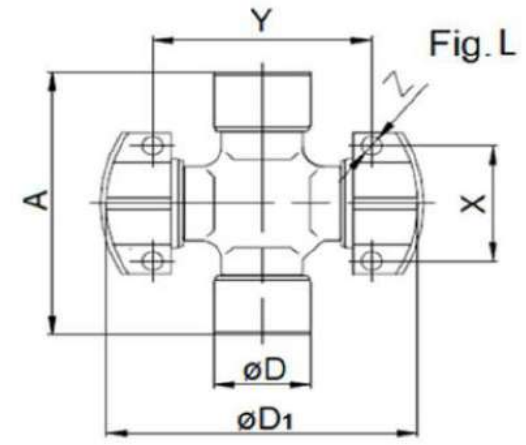
MAFSAL İSTAVROZLARI  
UNIVERSAL JOINTS KITS



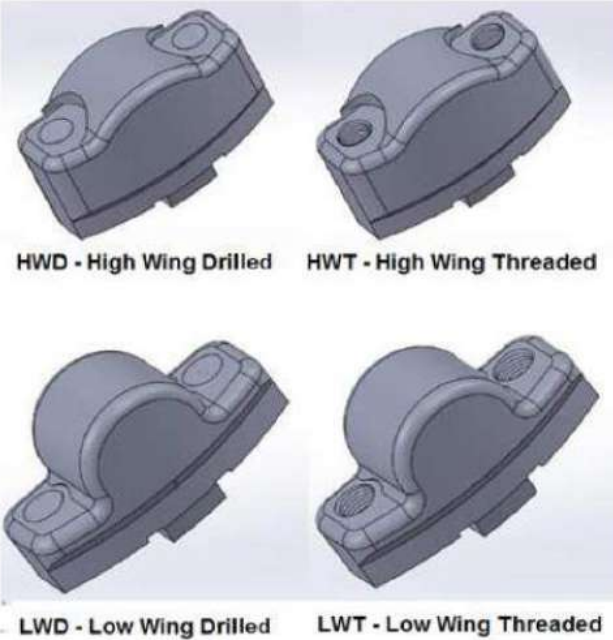
4 WING BEARING



2 WING - 2 ROUND BEARING  
INSIDE SNAPRING



2 WING - 2 ROUND BEARING  
OUTSIDE SNAPRING



HWD - High Wing Drilled

HWT - High Wing Threaded

LWD - Low Wing Drilled

LWT - Low Wing Threaded

UNIVERSAL JOINT KITS / KOMPLE İSTAVROZLAR

16/11

PART NO PARÇA NO	TYPE TİP	SERİE SERİ	ØD	A	ØD1	B	X	Y	Z	GREASE NIPLE GRESÖRLÜK
IK.0002C.000.00	Fig.8-4LWT	520	2C	-	79,25	-	33,3	59,4	5/16"-24	BEARING CUP GR. NIPPLE
IK.0002C.000.02	Fig.9-2LWD/2Rd	-	25,4	-	79,25	54,5	33,3	59,4	Ø8,5	BEARING CUP GR. NIPPLE
IK.0003C.000.00	Fig.8-4LWD	530	3C	-	90,42	-	36,5	69,9	Ø8,5	SIDE GREASE NIPPLE
IK.0003C.000.01	Fig.8-4LWT	530	3C	-	90,42	-	36,5	69,9	5/16"-24	SIDE GREASE NIPPLE
IK.0004C.000.00	Fig.8-4LWT	540	4C	-	-	-	36,5	87,3	5/16"-24	SIDE GREASE NIPPLE
IK.0004C.000.01	A0-2HWD/2Rd	-	30,2	106,3	107,95	-	36,5	87,3	Ø9	SIDE GREASE NIPPLE
IK.0005C.000.00	Fig.8-4HWD	550	5C	-	121,41	-	42,9	88,9	Ø10,4	SIDE GREASE NIPPLE
IK.0006C.000.00	Fig.8-4LWT	560	6C	-	148,34	-	42,9	114,3	3/8"-24	SIDE GREASE NIPPLE
IK.0006C.000.02	Fig.8-4HWD	560	6C	-	148,34	-	42,9	114,3	Ø10,4	SIDE GREASE NIPPLE
IK.0006C.000.01	A0-2HWD/2Rd	-	35	126,1	148,34	-	42,6	114,3	Ø10,4	SIDE GREASE NIPPLE
IK.0007C.000.00	Fig.8-4HWD	570	7C	-	148,34	-	49,2	117,6	13,5	SIDE GREASE NIPPLE
IK.0007C.000.01	A0-2HWD/2Rd	-	41,2	142,1	148,34	-	49,2	117,6	13,5	SIDE GREASE NIPPLE
IK.0085C.000.00	Fig.8-4HWT	585	8.5C	-	165,10	-	71,4	123,8	1/2"-20	2 SIDE GREASE NIPPLE
IK.0008C.000.00	Fig.8-4HWD	580	8C	-	206,25	-	49,2	174,6	13,5	SIDE GREASE NIPPLE
IK.0009C.000.00	Fig.8-4.....	590	9C	-	209,55	-	71,4	168,3	?	?